

Gas Discharge Tubes (GDT)

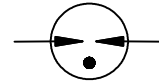
2R-20A Series

Description

The Gas Discharge Tube (GDT) is a protective device which is filled with certain proportion of noble gas, or mixed gas or other discharge media in the space between metal electrodes and metalized ceramics, and then sealed at high temperature to form a single gap or multi-gap switch type protective device. When the protected circuit or equipment suffers to surge, GDT will change from high impedance state to low impedance state and release the surge energy to reduce the residual voltage of the circuit, and then protect the equipment or human body from the hazard of transient overvoltage.



Electrical symbol



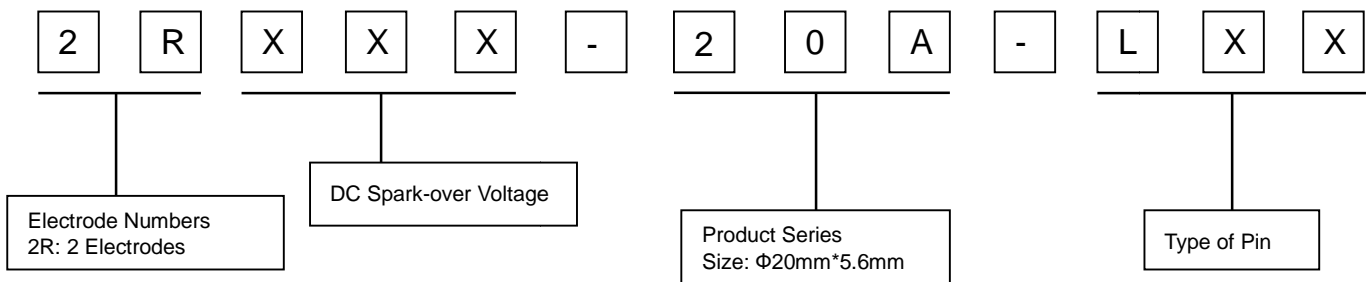
Features

- I Stable performance over life
- I Very fast response time
- I High insulation resistance
- I Non-Radioactive

Applications

- I LED lighting
- I Power supply
- I Photovoltaic

Part Number Code



Gas Discharge Tubes (GDT)

2R-20A Series

Electrical Characteristics

Model		2R090-20A	2R350-20A	2R600-20A	2R800-20A	Units
DC Spark-over Voltage ^{1) 2)}	at 100V/S	90±20%	350±20%	600±20%	800±20%	V
Impulse Spark-over Voltage	at 1KV/μS	<600	<900	<1200	<1400	V
Front of wave spark-over voltage	at 1.2/50μS, 6 KV	<900	<1200	<1500	<1600	V
Life Ratings						
Nominal discharge current	8/20μS 15 times	60	60	60	60	KA
Maximum discharge current	8/20μS 2 times	80	80	80	80	KA
Impulse Current	10/350μS 5 times	15	15	15	15	KA
Insulation Resistance ³⁾		>1	>1	>1	>1	GΩ
Capacitance	at 1MHz	<6.0	<6.0	<6.0	<6.0	Pf
Glow Voltage	at 10mA	60	90	150	170	V
Arc Voltage	at 1A	~10	~12	~18	~18	V
Glow to Arc transition current		~1	~1	~1	~1	A
Weight		~5.85	~5.85	~5.85	~5.85	g
Operation and storage temperature		-40~+125	-40~+125	-40~+125	-40~+125	°C
Climatic category (IEC60068-1)		40/125/21	40/125/21	40/125/21	40/125/21	
Marking, blue positive		RUILON 2R090-20	RUILON 2R350-20	RUILON 2R600-20	RUILON 2R800-20	
Surface treatment	Matte-tin plated					

¹⁾ At delivery AQL 0.65 level II, DIN ISO 2859.

²⁾ In ionized mode.

³⁾ Insulation Resistance Measuring Voltage:

90V at DC 50V

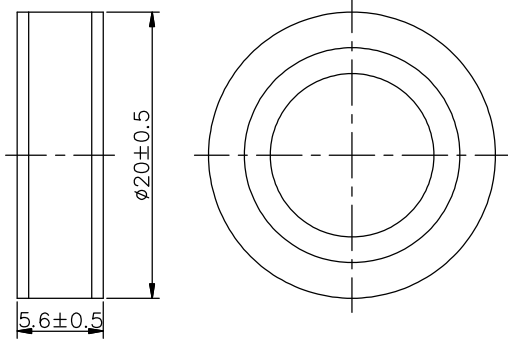
Other at DC 100V

Gas Discharge Tubes (GDT)

2R-20A Series

Dimensions (Unit: mm)

2RXXX-20A-LS0



Packaging Information

2RXXX-20A-LS0

	PVC tray	Inner Box	Carton
Size	265×148×17mm	275×150×50mm	315×290×272mm
Quantity	MPQ: 1 tray=40pcs	MOQ: 1 Inner Box=3 trays=120pcs	1 Carton=10 Inner boxes=1,200pcs
Photos			

Terms and definitions

NO.	Item	Definitions
1	Gas discharge tube(GDT)	A gap, or several gaps, in an enclosed discharge medium, other than air at atmospheric pressure, designed to protect apparatus or personnel, or both, from high transient voltages. Also referred to as "gas tube surge arrester".
2	DC Spark-over Voltage	The voltage at which the gas discharge tube sparks over with slowly increasing d.c. voltage.
3	Impulse Spark-over Voltage	The highest voltage which appears across the terminals of a gas discharge tube in the period between the application of an impulse of given wave-shape and the time when current begins to flow.
5	Arc voltage	Voltage drop across the GDT during arc current flow.
6	Glow voltage	Peak value of voltage drop across the GDT when a glow current is flowing.
7	Impulse discharge current 8/20μs	Current impulse with a nominal virtual front time of 8 μs and a nominal time to half-value of 20 μs.
8	Alternating Discharge Current	The rms value of an approximately sinusoidal alternating current passing through the gas discharge tube.
9	Insulation Resistance	Insulation resistance shall be measured from each terminal to every other terminal of the GDT. The test is performed with DC50V when normal spark-over Voltage 70~150V, others with DC100V.
10	Capacitance	The capacitance shall be measured once at 1 MHz between all terminals unless otherwise specified.

Cautions and warnings

- I Surge arresters must not be operated directly in power supply networks.
- I Surge arresters may become hot in case of longer periods of current stress (danger of burning).
- I If the contacts of the surge arresters are defective, current stress can lead to the formation of sparks and loud noises.
- I Surge arresters may be used only within their specified values. In case of overload, the head contacts may fail or the component may be destroyed.
- I Damaged surge arresters must not be re-used.